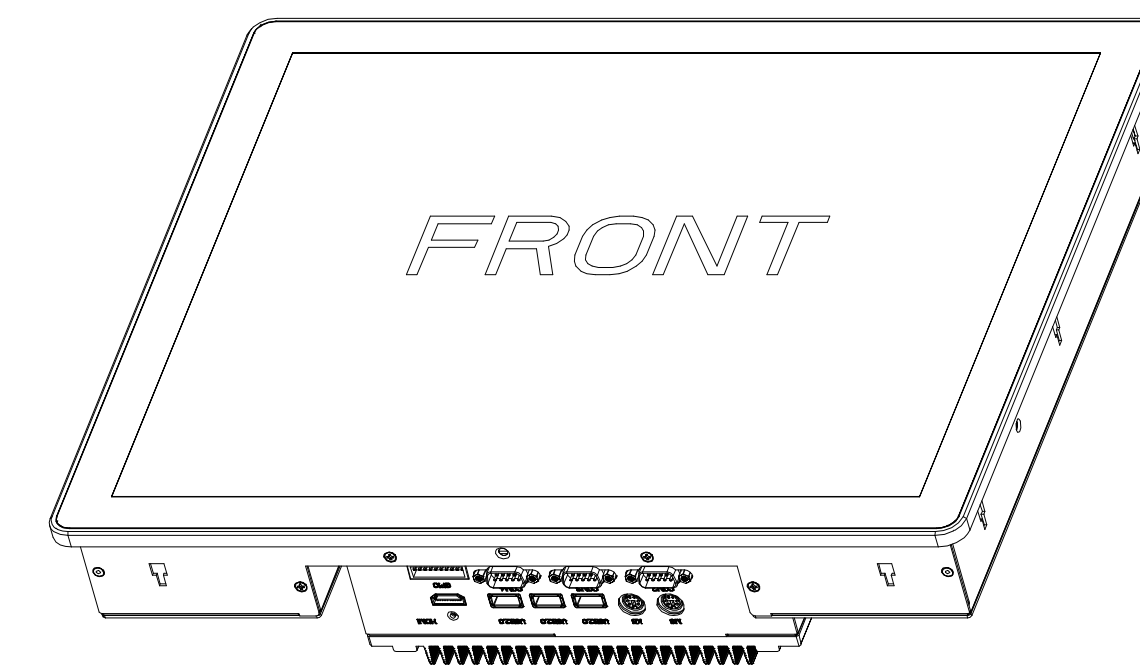
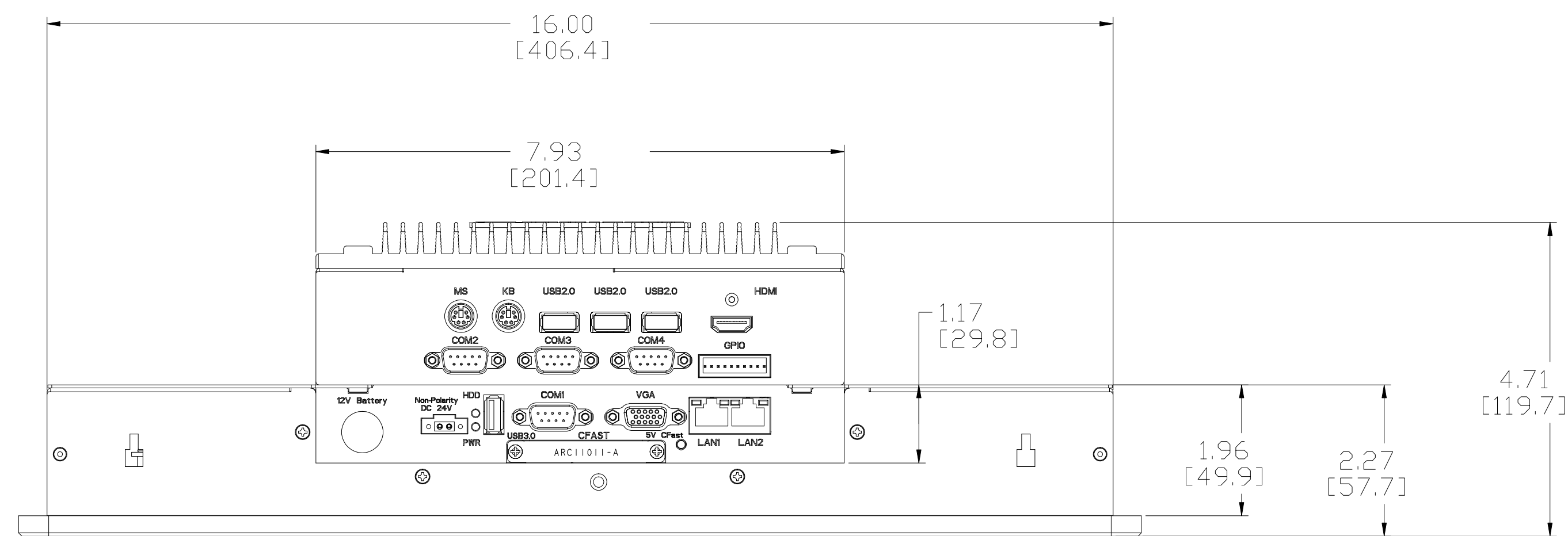
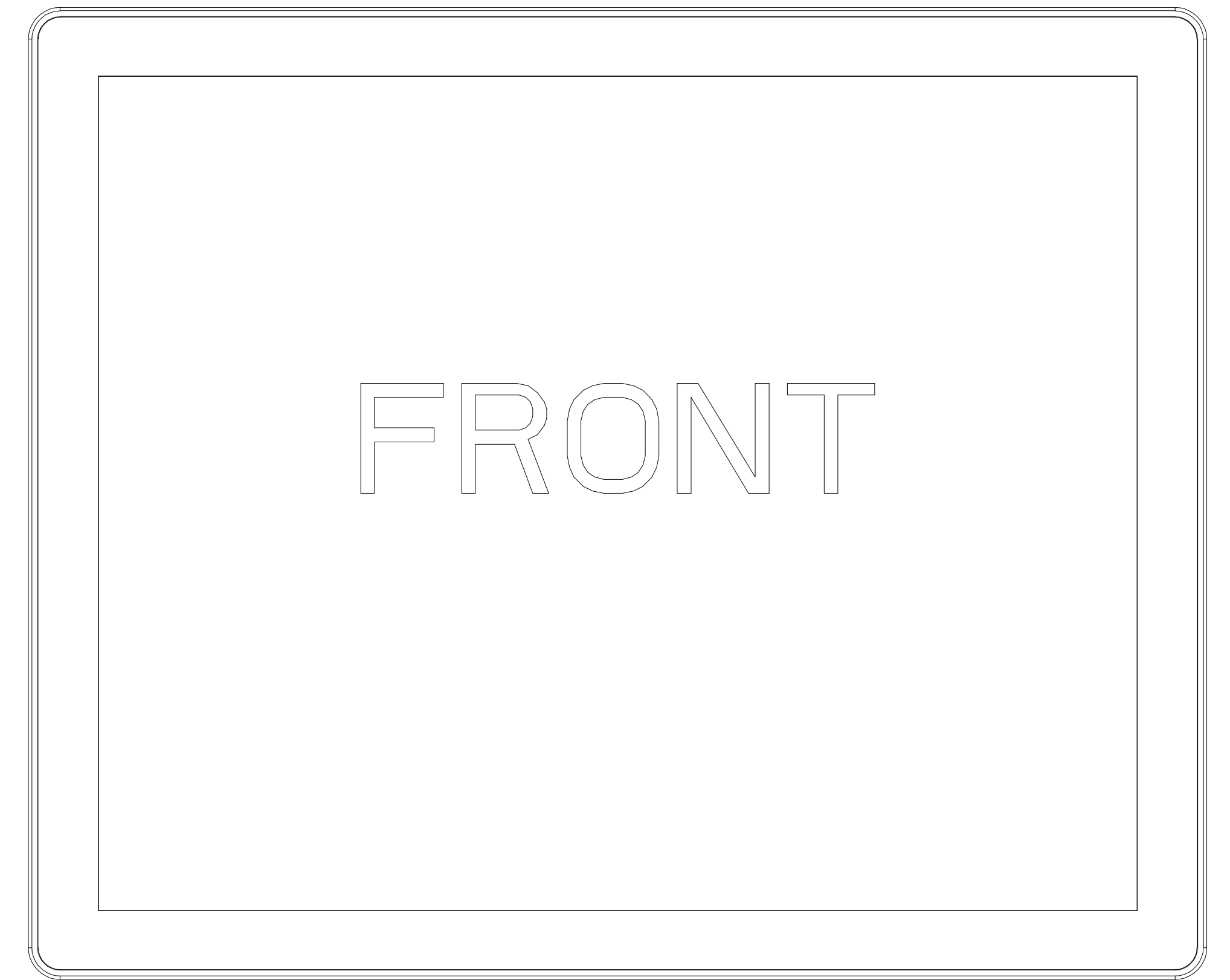
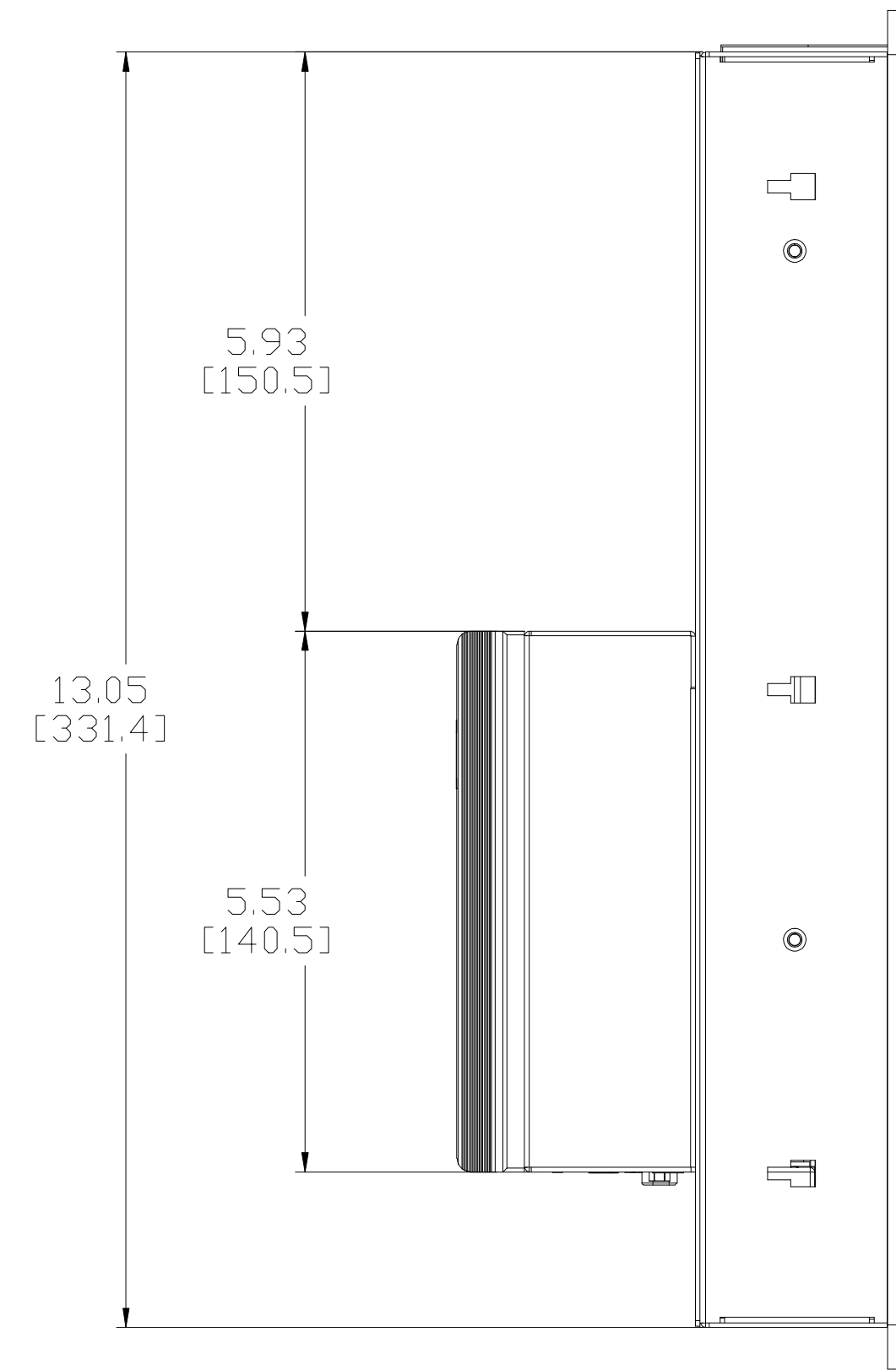
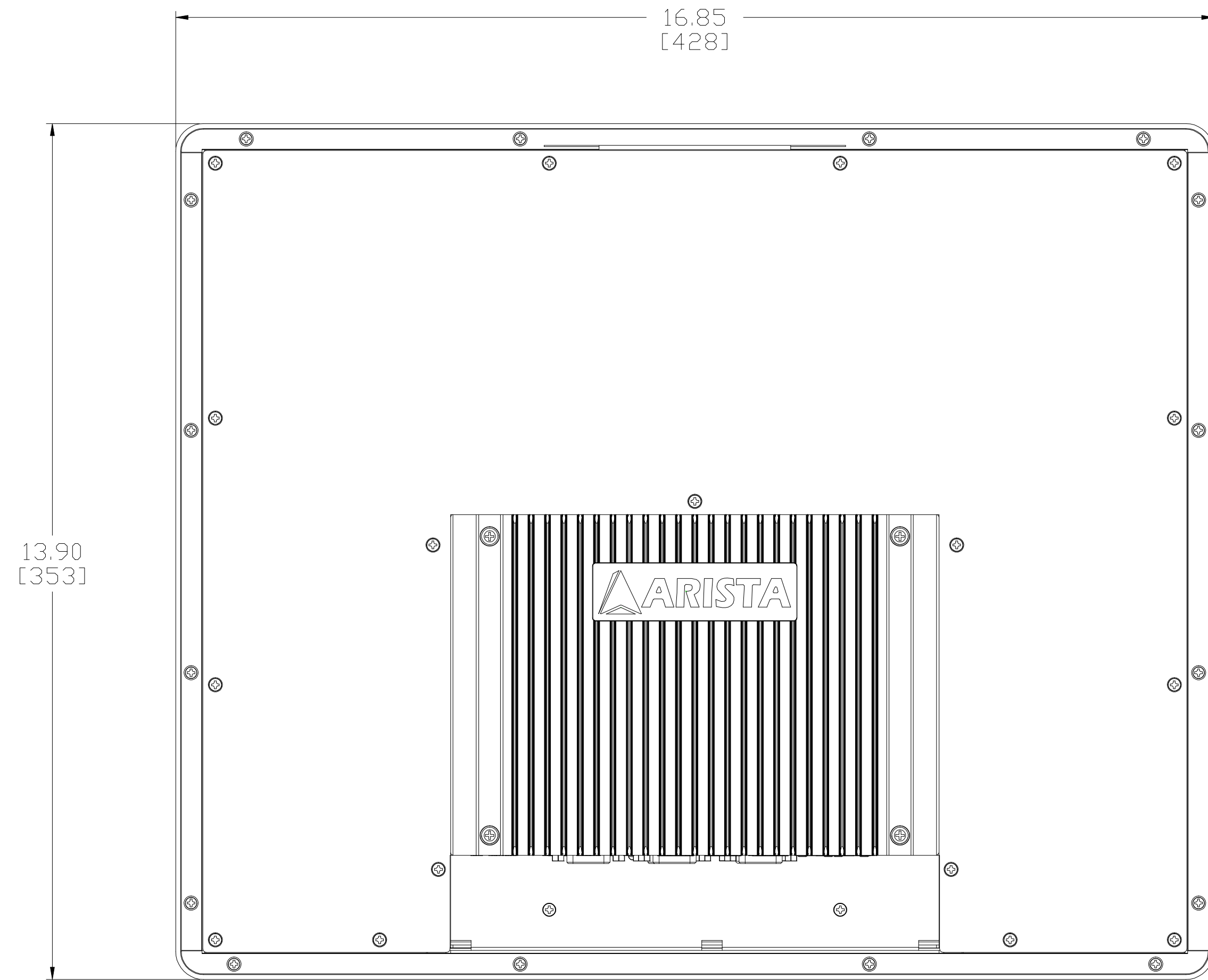
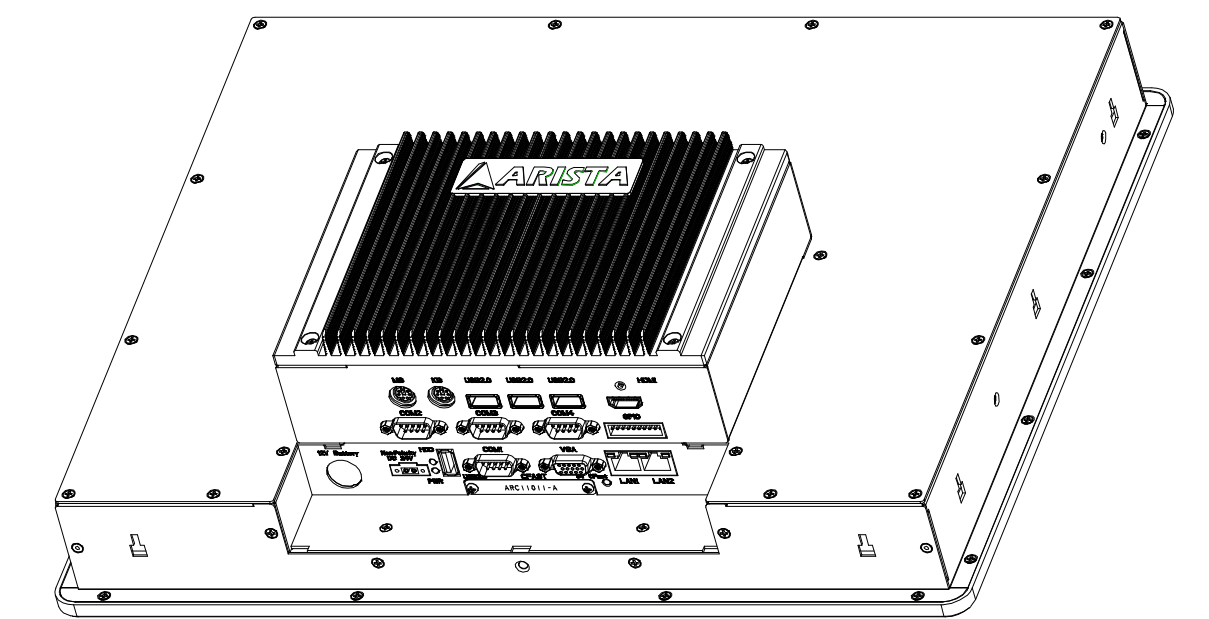


PARTS LIST			
ITEM	QTY	DESCRIPTION	P/N



比例 0.300



比例 0.300

ALL DIMENSIONS IN MILLIMETRES
 THIRD ANGLE PROJECTION

ZONE	REV	DESCRIPTION	DATE	APPROVED
REVISIONS				

The information disclosed on this document is the exclusive property of ARISTA CORPORATION. Reproduction, disclosure, or the use of this document or information without the written permission of ARISTA CORPORATION is prohibited.	TOLERANCES A B C 0-30mm ±0.1 ±0.25 ±0.6 30-120mm ±0.15 ±0.46 ±1.1 120-315mm ±0.2 ±0.6 ±1.6 >315mm ±0.3 ±1 ±2.5			ARISTA CORPORATION 40675 Encyclopedia Circle, Fremont, CA 94538		
	DRN DATE			TITLE 0_ARP-3819AP-H01-ARC11200		
	CHECKED	DESIGN		SIZE D	FSCM NO.	DWG NO.
				比例 0.600	INV. NO.	SHEET OF